

WE APPRECIATE FEEDBACK!

Please allow our customer service team to help with any issues before you leave a review.



/atomismartino



/atomi\_smart



@atomi.smart



# 150W Car Power Inverter

2 AC 110V Outlets + 2 USB-C Ports  
+ 2 Smart Charge USB Ports

User Manual

Need assistance?

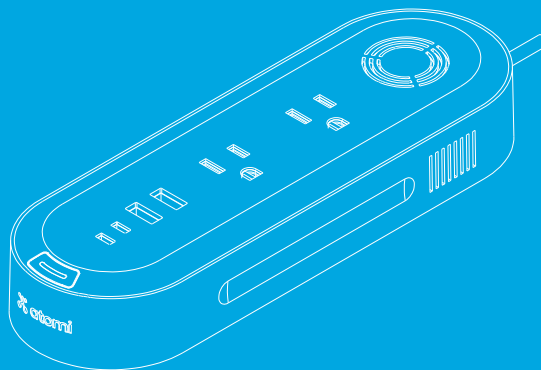


DO NOT RETURN THIS  
PRODUCT TO THE STORE

Call 1-800-757-1440

Mon-Fri 9:00 a.m. - 5:00 p.m. EST (US)

or email us at [info@atomiusa.com](mailto:info@atomiusa.com)



Date Code: 10/21

## Thank you for purchasing the Atomi 150W Car Power Inverter

Keep your devices charged and ready, whenever and wherever you need! Equipped with dual USB-C ports for iPhones, plus Ai-smart charge ports and electrical outlets for tablets, laptops, earbuds & more—this mobile power station delivers the quickest and most efficient charge possible.

### What's Inside

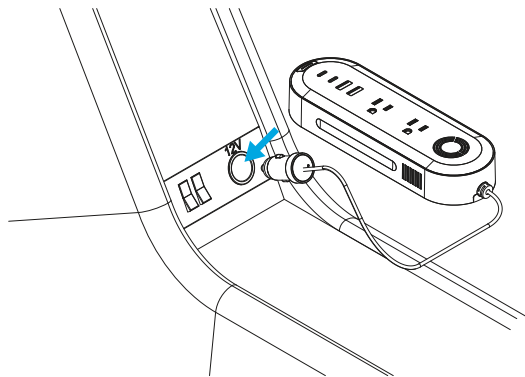
150W Car Power Inverter  
USB Car Charger

### Specifications

Input: 12VDC, 20A Max.  
USB and USB-C Output: 5V DC 2.4A (each port)  
AC Output: 110V~60Hz 150W Max.  
Output Current: 4.8A max

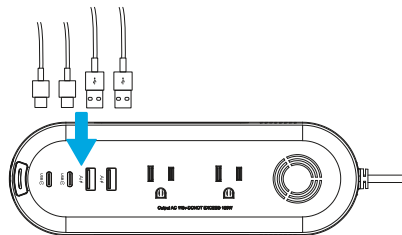
1

Connect the 150W Car Power Inverter to your vehicle's 12-volt power outlet.



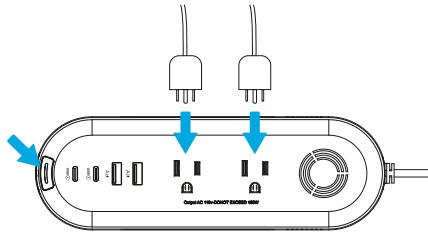
2

Connect up to 2 USB and 2 USB-C devices.  
They'll start charging automatically.



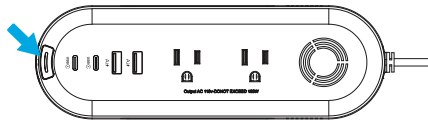
## Using the AC Outlets

Press and hold the power button for 3 seconds to turn the AC outlets on or off.



A charge-indicator light shows the AC outlets' status. If the light is red, it's not working for the following reasons. Unplug immediately.

- Blue: AC outlets are turned on and working normally
- Red (1s flashing): Car battery voltage is either too high (above 15V)<sup>1</sup> or too low (below 11V)<sup>2</sup>
- Red (0.5s flashing): Overheat protection (above 203°F)



## Notes

1. Product should only be used in vehicles with a 12V battery. Anything above 12V may result in irreversible damage.
2. Start the vehicle engine before turning on the AC output or the inverter will not work. Also try recharging the car battery, and check the connections and cables.

## Charging Various Devices with the 150W Car Power Inverter



Tablet/Laptop



Mobile phone



Mp3 player



Camera

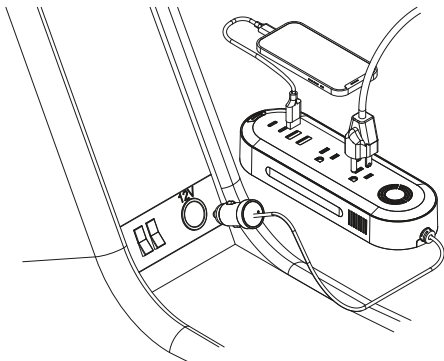


Sports camera



Gaming console

Connect up to six devices



## Safety Information

1. Read these instructions carefully for best use.
2. DO NOT use the 150W Car Power Inverter near water or expose it to rain or moisture.
3. DO NOT use the 150W Car Power Inverter near open flames, such as candles, heat sources, radiators and stoves.
4. Only clean the 150W Car Power Inverter with a dry cloth.
5. Caution: Risk of electric shock. Grounding continuity must be maintained.
6. For connection to a supply not in the U.S.A., use an attachment plug adapter of the proper configuration for the power outlet, if needed.
7. Please check prior use, if output voltage and current of the power supply is suitable for the product.
8. Children should be supervised to ensure that they do not play with the appliance.



### WARNING:

This product can expose you to chemicals including Pb, Cd, DBP, BBR, DEHP, DIDP, DnHP and DINP, which are known to the State of California to cause cancer and birth defects or other reproductive harm. For more information, go to [www.P65Warnings.ca.gov](http://www.P65Warnings.ca.gov).

For questions or concerns, email us at [info@atomiusa.com](mailto:info@atomiusa.com)  
Manufactured and marketed by AtomI Inc.  
10 West 33rd St., New York, NY 10001  
atomI™ is a trademark of AtomI Inc.  
Designed by AtomI in New York. Made in China

One-year limited warranty from the date of purchase  
against defects in material and workmanship.