

WE APPRECIATE FEEDBACK!

Please allow our customer service team to help with any issues before you leave a review.



/atomismartinc



/atomi_smart



@atomi.smart

Need assistance?



**DO NOT RETURN THIS
PRODUCT TO THE STORE**

Call 1-800-757-1440

Mon-Fri 9:00 a.m. - 5:00 p.m. EST (U.S.)

or email us at info@atomiusa.com



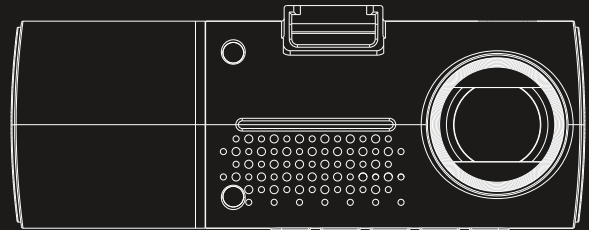
4K Dual Lens Dash Cam

Ultra HD Video Recording
with App Control

Model: AT2090

Installation Guide

Step 1 of 2



Date Code: 03/24

Thank you for purchasing the Atomi 4K Dual Lens Dash Cam

The Atomi 4K Dual Lens Dash Cam is a must-have for daily commuters and rideshare operators alike. Capture the road in stunning 4K Ultra High Definition (UHD) resolution.

G-Sensor technology auto-saves and locks video to the included 32GB memory card during an impact incident.

Loop recording allows the dash cam to continuously record even if the memory card is full. GPS records driving speed and works with maps. Transfer video files through built-in WiFi and the Atomi Dash app. Drive safer today.

Product Features

- 4K/30fps Ultra HD recording
- Front and rear dual lens
- GPS tracking
- Parking guard
- 1.5in. color LCD display
- Wide-angle lens
- G-Sensor collision lock
- Supports WiFi
- WDR
- Loop recording

Intended Purpose

This device is designed for motor vehicles only.

What's Inside

- 4K Dual Lens Dash Cam
- 5V 2A DC Car Charger with GPS and USB-C Cable
- Windshield Mount
- 32GB Memory Card

Safety Information

- Please read these instructions carefully for best results.
- Children should be supervised to ensure that they do not play with the device.
- Do not operate the dash cam and accessories while driving.
- Do not install the dash cam where it may block the driver's view of the road or deploy the airbag.
- Do not use the 4K Dual Lens Dash Cam near open flames such as candles, heat sources, radiators, and stoves.
- Do not leave the dash cam in direct sunlight for long periods of time where the temperature is above 140°F (60°C).
- The dash cam will heat up during operation. Please keep it ventilated and without any covering.
- The dash cam uses a built-in lithium battery. Do not squeeze, punch or puncture it.
- Do not disassemble, repair, or modify the device yourself because it will void the warranty. In case of failure, consult a professional.

Important

- Please install and format the memory card before using this device.
- Plug the car charger into the cigarette lighter of the car and ensure it is kept in good contact.
- Protect the power cord from being kinked or bent.
- Do not use corrosive solvents to clean the dash cam and accessories. Clean them only with a clean, soft cloth.
- Operating environment: Temperature 14°F to 122°F (-10°C to 50°C), humidity ≤70%, dustproof.
- Storage environment: Temperature -4°F to 140°F (-20°C to 60°C) humidity ≤60%, dustproof.
- Take test shots before use to ensure the dash cam works properly. We are not liable for additional losses due to incorrect use or dash cam failure.

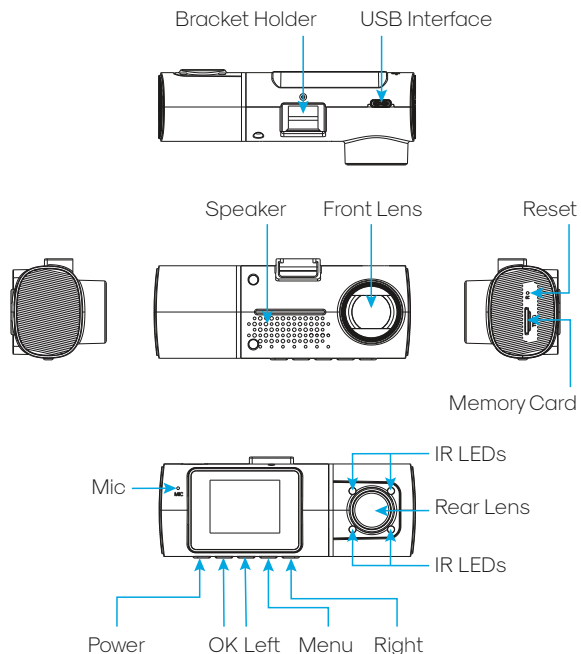
Other Warnings

- Do not use in places prohibited by law. Please comply with local laws and regulations.
- Use of this product shall not violate the privacy of others. Please comply with the laws and regulations of personal privacy protection.
- Do not discard the dash cam and accessories at will. Please dispose of them in accordance with local laws.

Trademarks and Copyrights

- Some of the names referenced in this guide may be trademarks or trademarks registered by the relevant owners.
- Microsoft and Windows are registered trademarks of Microsoft Corporation.
- Pentium and CORE are registered trademarks of Intel Corporation.
- Macintosh is a registered trademark of Apple Inc.
- The copyright of this guide belongs to Atomi and may not be reproduced or disseminated by any entity or individual without our written consent.





Product Description



Dash Cam Operation


Note: This dash cam requires an external power supply of 5V 2A and it cannot be turned on without an external power source. The built-in lithium battery is mainly used to save data and support the parking guard, not normal work.

Button Functions

- Power**  Short press to turn ON/OFF screen. Make sure recording has stopped (no flashing red light on screen) then long press for 3 secs to turn the device OFF. Press it again to turn the device ON.
- Left**  In the Settings menu, short press to select an option and adjust values. When previewing or recording, short press to switch the screen to display mode. In playback, short press to page down. When replaying a video, press to rewind.
- OK**  In Preview/Video mode, short press to start/stop video recording. In the Settings menu, short press to confirm selection. In playback, short press to play/stop files.
- Right**  In the Settings menu, short press to select an option and adjust values. When previewing or recording, short press to enable or disable the microphone. In playback, short press to select page up. During video playback, short press to fast-forward. Long press to turn WiFi ON/OFF.

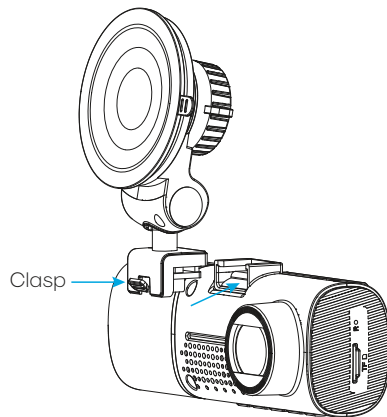
Menu/Mode In Preview/Video mode, short press to access the menu. Long press to enter or exit playback mode. During video recording, short press to lock the current video. In Playback mode, short press to open and switch menus.

MENU

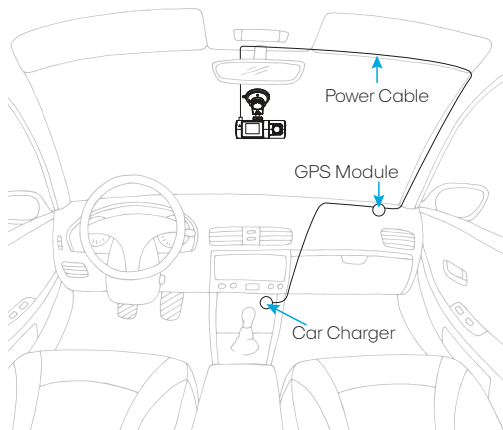
Reset  The hardware resets. When the dash cam freezes, restart the dash cam by reaching in to the "R" button (Reset) with a fine needle to press the button.

Installing the Dash Cam

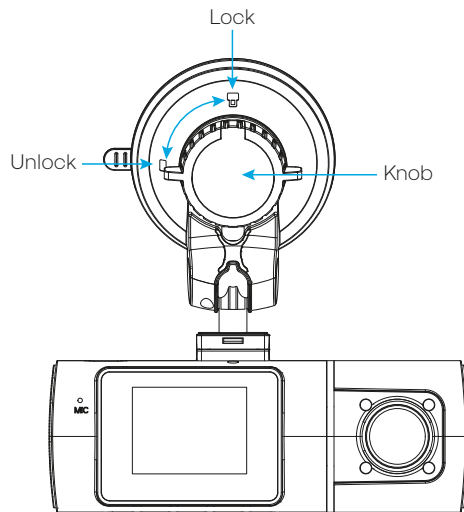
Install the mounting bracket on the dash cam. Push it forward as shown and fasten the clasp. To remove the mounting bracket, press the clasp and pull it out.



Find a suitable mounting position on the windshield (recommended installation is in the middle of the windshield near the rear-view mirror where the dash cam has a better view) and clean it with a clean cloth.

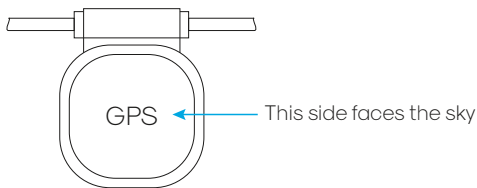


Remove the protective film on the suction cup of the mounting support and turn the knob to unlock the position. Press the suction cup against the windshield to remove the air inside as much as possible and rotate the knob to the locking position.



Connect the power cable to the USB port of the dash cam. Route the excess cable along the ceiling and around the windshield. It is recommended to hide the cable along the ceiling to reduce any interference to the driver's sight.

Install the GPS module in a suitable position on the center console (both sides of the center console are recommended for easy cabling) and clean it with a clean cloth. Remove the GPS module's protective film and attach the GPS module to a suitable spot. Make sure the GPS-marked side is up and not covered to receive the best GPS signal.



Plug the car charger into the cigarette lighter socket, start the engine, and the dash cam automatically turns on after a few seconds. Adjust the height and angle of the dash cam to ensure the best view. Format the memory card and test whether all the functions of the dash cam are normal.

Notes:

It is recommended to plug the car charger into the vehicle cigarette lighter interface. The 4K dash cam needs sufficient current and other ports may not have enough current. The suction cups and GPS modules must be installed in a clean place, free of water, dust, oil or other foreign matter.

Prepare to Use

Memory Card

A memory card must be installed when using the dash cam. This dash cam has a built-in 32GB memory card. For first-time use, format the memory card locally. Please see "Format the Memory Card" for more information.

Remove Memory Card

Turn off the dash cam, press the memory card inward with your fingernail or a thin needle, then release when you hear a "click" sound and the memory card pops out.

Install a Memory Card

With the dash cam is turned off, please insert the memory card into the "Memory Card" slot and push inward (the memory card can only go in one way). Push inward until a "click" is heard.

Notes:

- This dash cam must use a U3/Class 10 or above high-speed card.
- When installing, please confirm the insertion/direction of the memory card. Incorrect insertion will damage the cam and the memory card.
- Do not remove and insert the memory card while the dash cam is working. This may damage the memory card or corrupt data.

Using the Dash Cam

Manually Turn ON/OFF the Dash Cam

The dash cam automatically turns ON/OFF when the engine is started or turned off. When the dash cam is turned on, it automatically enters the recording state.

Manually Turn ON the Dash Cam

Press POWER. The screen lights up and the dash cam turns ON.

Manually Turn OFF the Dash Cam

Press OK to stop recording (No red dot flashing on the screen) and press POWER for about 3 seconds to turn OFF the dash cam.

Reset the Device

If the dash cam is not working properly and cannot be restarted, insert a metal pin into the "R" hole on the side of the dash cam and hold it for 5 seconds, then release and the dash cam will restart.

Initial Settings

- Before using the dash cam, format the inserted memory card and select the correct language, time, and date.
- A flashing red dot means a video is being recorded. Press OK to stop recording, press MENU twice to enter the system menu and set it.
- After the settings are complete, press MENU to return to the recording mode and the dash cam will automatically start recording later.

Language Settings

Press OK to stop recording and press MENU twice to enter the system menu. Press RIGHT to select the language option and press OK to enter the language settings. Press RIGHT or LEFT to select the language, press OK to confirm and return to the system menu.

Set the Date and Time

Set the system date and time. In the system menu, press RIGHT to select date and time options and press OK to enter settings. Press RIGHT or LEFT to adjust the number, press OK to confirm and proceed to the next item. After completing all settings, press MENU to return to the system menu.

Format the Memory Card

- Format the memory card and delete all data on the card.
- In the system menu, press RIGHT to select FORMAT and press OK to enter settings.
- Press RIGHT to select "OK ", press OK to confirm the formatting and return to the system menu.
- Once the settings are complete, press MENU to return to video mode.

Notes:

- The menu cannot be accessed while recording (red dots flashing on the screen indicate recording). Stop recording before entering the menu.
- The formatting operation will delete all files on the card. The file cannot be recovered once deleted.

Operation Mode

The dash cam operates in two modes: Video Recording mode and Playback mode. Long press MENU to switch and access the different modes. The icon of each mode is displayed in the upper left corner of the screen and the video camera icon represents the video recording mode. In both modes, you can enter the settings by pressing MENU. Press RIGHT or LEFT to select setting options, then press OK to confirm and press MENU to return.

Video Recording Mode

- The dash cam will automatically enter Video Recording mode and will start recording when powered ON. A flashing red dot in the top left corner indicates video recording in progress.
- Press OK to stop recording or restart recording.
- Press POWER to turn the screen ON/OFF.
- Press LEFT to switch what is displayed on the screen (this function is not available when the front dash cam is operating).
- Press RIGHT to turn OFF/ON the microphone.
- During recording, press MENU to lock the current recording.

Notes:

- Locked videos will not be overwritten.

Set the Video Recording Mode Menu

- In video recording mode, press OK to stop recording and press MENU to open the recording mode menu.
- Press LEFT or RIGHT to select the option, press OK to confirm and press MENU to exit.

Resolution

- Change the lens working mode (single or double lens working at the same time) and set the video resolution.
- UHD P30: 4K/30fps (only front lens use)
- UHD P25+FHD P25: Front 4K/25fps + Inside 1080P/25fps (Default)
- QHD P30+FHD P30: Front 2K/30fps + Inside 1080P/30fps
- FHD P30+FHD P30: Front 1080P/30fps + Inside 1080P/30fps

Loop Recording

- When the memory card storage space is full, the dash cam automatically overwrites the earliest files.
- Adjust the length of each video: 1 minute (Default)/3 minutes.

WDR (Wide Dynamic Range)

Turn on WDR to optimize video quality, giving the dash cam a wider range of light adaptation and better images in environments with strong contrast between light and dark. Enabling this function is recommended.

G-Sensor

- G-Sensors will detect significant or sudden shock and movement and the dash cam will automatically lock the current recording.
- Detection sensitivity options: Off/Low/Medium (default)/ High.
- If set to HIGH, the dash cam will automatically lock the video even if the car goes over a speed bump which can cause a lot of useless videos to be locked. The recommended setting is MEDIUM.

Parking Guard

For monitoring after parking, turn on the parking guard. When the car is powered off, the dash cam stays on standby. When the G-Sensor of the dash cam detects shaking, it will automatically record a video before resuming standby.

Notes:

- The parking guard function is powered by the built-in battery. If the battery is exhausted due to excessive use, the parking guard function will fail. Wait for the car's power supply to turn on and return to normal after automatic charging.

Exposure

Adjust the brightness of the video according to the intensity of the ambient light to keep the video brightness appropriate.

Record Audio

Enable or disable the sound recording.

Date Stamp

Turn ON/OFF date and time stamps in video files.

Playback Mode

- Browse and play recorded videos and manage files.
- Press OK to stop recording (no red dots flashing on the screen), and press MENU for 3 seconds to enter playback mode where all files can be viewed. Press RIGHT or LEFT to scroll through the video files.
- Press OK to play the video and press OK again to stop playing. While playing, press RIGHT to fast-forward and LEFT to rewind.
- After stopping the playback, short press MENU to bring up the playback mode menu: Delete/Protect /Slide Show, and press OK to enter the sub-menu.

Delete

Deletes the current file or all files.

Protection

Locks or unlocks the current file or all files.

Slide Show

- Select an interval to activate this feature and the recorded file will be displayed as a slide show.
- Follow the prompts on the screen and press OK to confirm the operation. Once the operation is complete, press MENU twice to exit.
- Long press MENU to return to video recording mode.

Notes:

- The name of the file is in the upper right corner of the screen.
- File name ending with an "A" means the video was recorded by the front lens. If the video ends with a "B", it was recorded by the inside lens.
- Files protected by a lock will not be overwritten by loop recordings and will not be deleted. If you want to delete it, unlock it first.

Set the System Menu

- In video recording mode, press OK to stop recording and press MENU twice to enter the system settings menu.
- Press RIGHT or LEFT to select the MENU, press OK to confirm and save, and press MENU to return.

WiFi

Turn ON/OFF the WiFi. After the WiFi is turned on, the dash cam can be connected to the phone and the dash cam can be operated through the phone app.

Notes:

- When the dash cam WiFi is turned on, some buttons do not work. If you need to operate the button, long press RIGHT to turn off WiFi first.
- The dash cam WiFi is in point-to-point mode and cannot access the Internet.

Screen Saver

The display automatically closes at a fixed time so that the product works at a lower power consumption. Note: The dash cam still records even when the screen saver is activated.

Select OFF to disable this function. If you select one minute, the system enters the power saving mode after starting the system for one minute.

Beep Sound

Used to turn ON/OFF the beep sound.

IR LED

Turn ON/OFF the IR LED light next to the built-in lens. If set to AUTO the IR LED light will automatically turn ON when the light dims.

Frequency

If the dash cam is disturbed by light, try changing the frequency to reduce flicker.

Default Settings

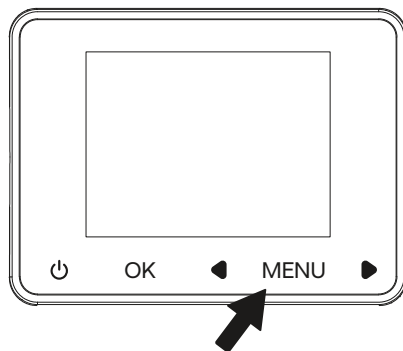
Reset the dash cam system parameters and restore factory defaults. This operation does not delete files in the card.

Password Security

This device can be password-protected for security purposes.

On the device MENU, navigate to the "Password Security" option to set the device password ON/OFF. Password is set to OFF by default.

When the password is set to ON, a password will need to be created. Use the two keys < and > to set the 0-9 and A-Z password options. Press OK to confirm and MENU to exit.



Please note: Once the password is created, the MENU control is password-protected.

Forgotten Password

In case of a forgotten password, the default password, 2B7K, allows access to the device. This default password cannot be overwritten or changed. Please save this password and use it only when resetting the personal password. There is no hard reset to the password.

Version

View the current firmware and software version of the dash cam.

GPS Menu

This dash cam uses an external GPS module (integrated into the car charger). The following menu will be displayed when the car charger is connected with the GPS. Otherwise, these menus are automatically hidden.

GPS Switch

Enable or disable GPS. When the GPS is turned ON, the dash cam records location and trajectory.

GPS Info

Press OK to enter. It will display the current GPS information, view the GPS signal strength, and latitude and longitude information. Press MENU to exit.

Speed Unit

Set the speed unit of the car when driving: KM/H & MPH.

Time Zone

Select the time zone where the dash cam is currently located.

Playing Video on the PC

- Use a USB cable to connect the dash cam to the USB port on your computer. Select MASS STORAGE on your dash cam and press OK to confirm.
- Find the removable disk on your PC, open the folder, and view your recorded videos.

Notes:

- It is recommended to transfer the video file to the computer before playing which will reduce delays or freeze in playback.

Troubleshooting

1. Can't get to the menu?

When the dash cam is recording (red dots flashing on the screen), the MENU button does not work. Please press OK to stop recording and then press MENU to access the menu. Another reason could be that the dash cam has WiFi enabled. When WiFi is enabled (the screen shows the WiFi icon), the MENU button does not work. Please long press RIGHT until the WiFi icon disappears. The MENU button can normally be used when the WiFi is off.

2. Why does the dash cam automatically stop while recording?

- Check if the memory is full.
- Then check if the loop recording function is working.
- Next, check whether the storage speed is above U3.
- Lastly, check if there are too many locked videos in the dash cam memory card, resulting in insufficient memory space. If yes, format the memory card.

3. Why is the video not playing properly on the computer?

- First, format the memory card in the dash cam.
- Next, change to a U3 or higher speed card.
- Then download the video to your computer and save it before playing it. The disruption may be from the computer's low configuration or player, so ensure that the computer's performance or player is suitable.

4. Why are there stripes, interference, or flickers in the video?

Maybe the frequency of the light source is wrong. Change the frequency setting of the dash cam to 50HZ or 60HZ in the settings.

5. The suction cup does not properly attach to the windshield.

Wipe the windshield with glass cleaner and clean it with a

cloth. Remove the protective film and if it doesn't work, heat the windshield and try again. Additionally, clean the sucker and soak it in warm water for a while.

6. The dash cam will shut down immediately without an external power supply or will not work properly after the external power supply is disconnected.

This is normal. The dash cam requires an external power supply of 5V 2A, and it cannot be turned on without an external power source. Because this 4K dual-lens dash cam requires a large current, the built-in battery is mainly used to save data and support parking guards.

7. Why does the dash cam keep turning on and off?

Please check that the charging cable is properly connected. Insert the needle into the "R" hole of the dash cam, hold it down for 3 seconds, and release it. The dash cam will restart automatically. If this does not work, format the memory card in the menu. Recheck that the dash cam is back to normal.

8. What can I do if the dash cam crashes?

If the dash cam crashes during use, insert a thin needle into the dash cam "R" hole, hold it down for 3 seconds, and release. The dash cam will automatically restart.

9. Why do I get "Memory Error" message?

Newly purchased memory cards need to be formatted locally before use. Make sure your dash cam is plugged into a power source, then press MENU twice to enter the setup menu. Press LEFT/RIGHT to select the format option, then press OK to format the card. After formatting the memory card, the dash cam will automatically return to the setup menu. Press MENU to return to recording mode.

FCC Notice:

This device complies with Part 15 of the FCC Rules. Operation is subject to the two following conditions:

1. This device may not cause harmful interference.
2. This device must accept any interference received, including interference that may cause undesired operation.

Note:

This equipment has been tested and found to comply with the limits for a Class B digital device, pursuant to part 15 of the FCC Rules. These limits are designed to provide reasonable protection against harmful interference in a residential installation. This equipment generates, uses and can radiate radio frequency energy and, if not installed and used in accordance with the instructions, may cause harmful interference to radio communications. However, there is no guarantee that interference will not occur in a particular installation. If this equipment does cause harmful interference to radio or television reception, which can be determined by turning the equipment off and on, the user is encouraged to try to correct the interference by one or more of the following measures:

- Reorient or relocate the receiving antenna.
- Increase the separation between the equipment and receiver.
- Connect the equipment into an outlet on a circuit different from that to which the receiver is connected.
- Consult the dealer or an experienced radio/TV technician for help.

Caution:

Modifications not approved by the party responsible for compliance could void user's authority to operate the equipment.

Safety Information

1. Read these instructions carefully for best use.
2. DO NOT use the 4K Dual Lens Dash Cam near open flames, such as candles, heat sources, radiators and stoves.
3. Only clean the 4K Dual Lens Dash Cam with a dry cloth.
4. Children should be supervised to ensure that they do not play with the device.

For questions or concerns, email us at info@atomiusa.com

Manufactured and marketed by Atomi Inc.

10 West 33rd St., New York, NY 10001

atomi™ is a trademark of Atomi Inc.

Designed by atomi in New York. Made in China

Three-year limited warranty from the date of purchase against defects in material and workmanship.