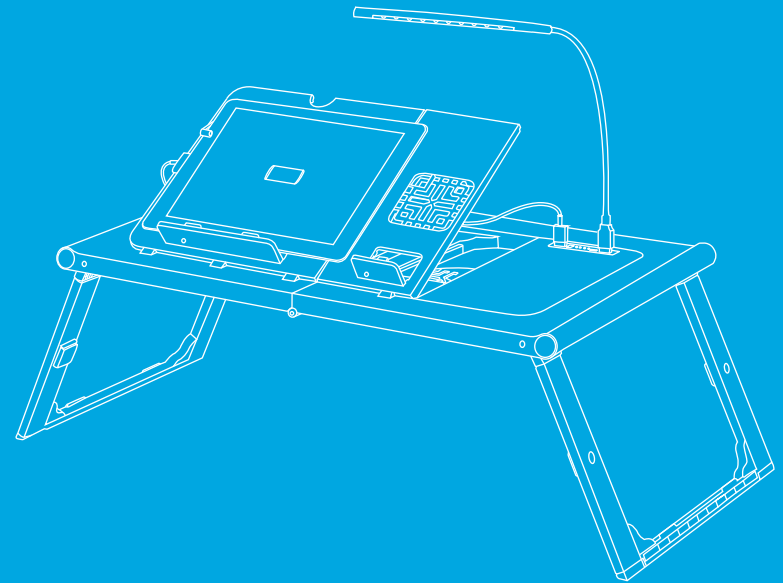




Portable Charging Table



www.atomiusa.com

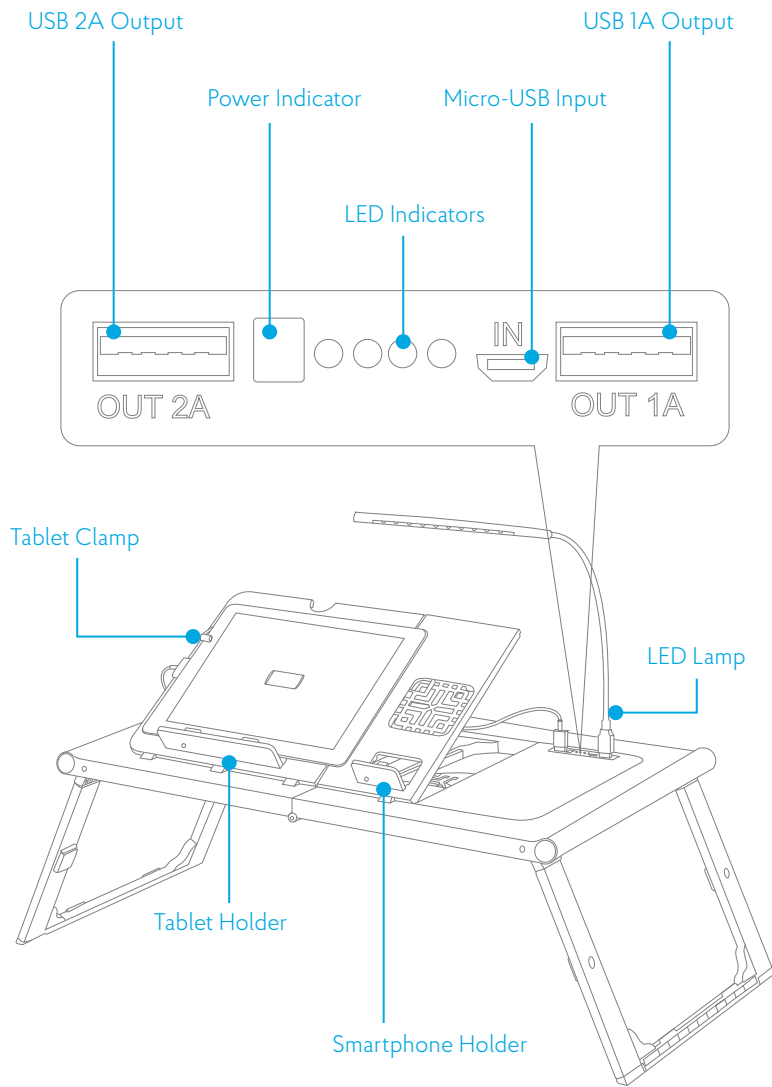
 facebook.com/AtomiElectronics

 [twitter: @AtomiUSA](https://twitter.com/AtomiUSA)

Atomi, Inc.
10W 33rd St.
Suite 520
New York
NY 10001

©2017 Atomi Inc.

User Guide



Thank you for your purchase of the atomi Portable Charging Table. We developed this product specifically to make using and charging your devices easier and more convenient for you. With the Charging Table, you're able to charge up to two devices at the same time, anywhere you need to.

CHARGING TABLE FEATURES

- Foldable and easily adjustable
- Inclined stand for supporting devices
- 2 USB ports for charging devices

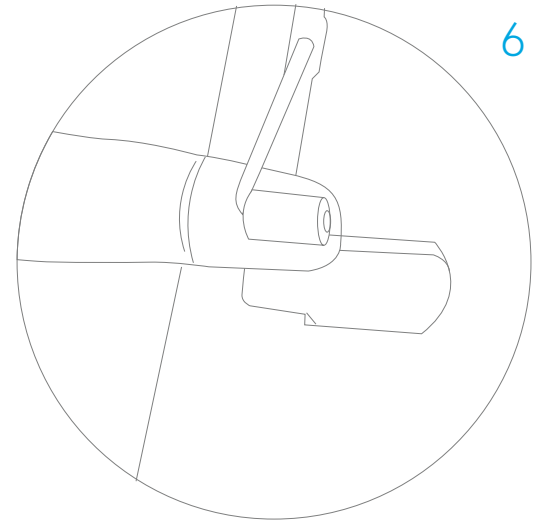
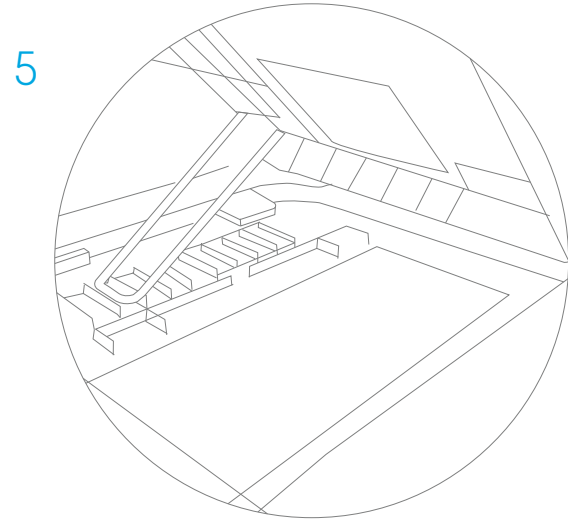
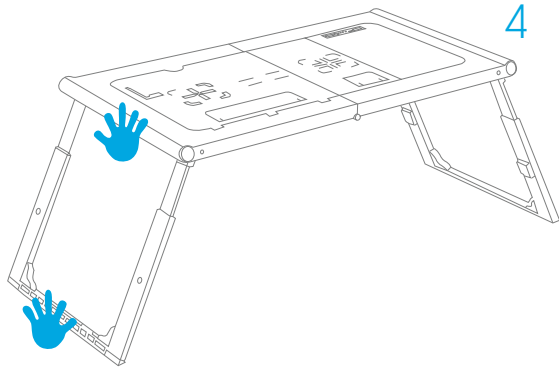
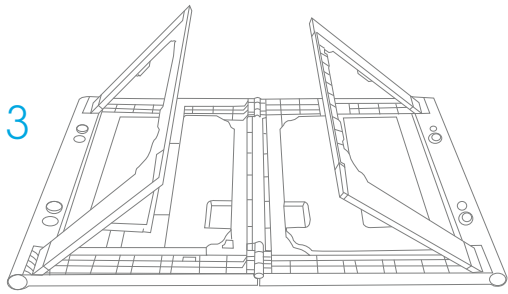
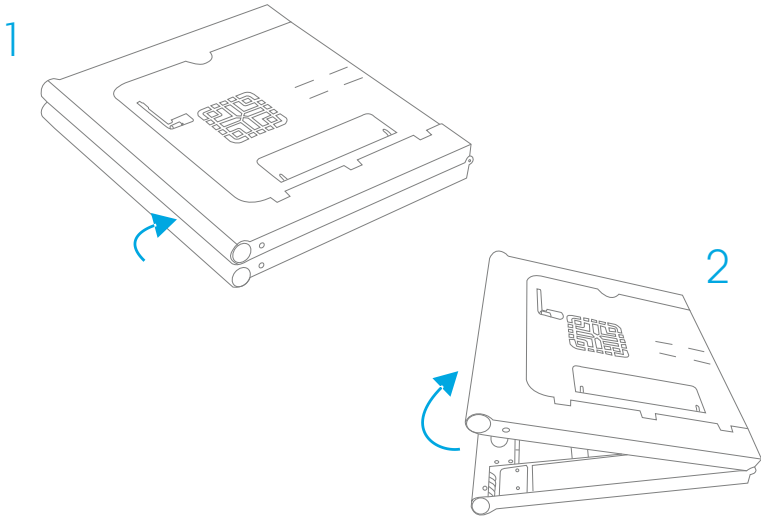
Included in the Packaging:

- Charging Table with Rechargeable 10,000mAh Lithium Ion Battery
- Micro-USB Charging Cable
- Instruction Manual
- USB-powered LED Reading Lamp

USING THE CHARGING TABLE

The Charging Table has been designed to make it easy to enjoy your devices. It can be adjusted to your preferences, depending on how you would like to use it. To use the Charging Table as shown on the product packaging, follow these instructions:

- Step 1:** Remove the Charging Table from the packaging, and it should appear as it does in the Step 1 photo on the back of the packaging.
- Step 2:** Open and begin to unfold the Charging Table as shown in the Step 2 photo.
- Step 3:** Open and unfold the legs of the Charging Table as shown in the Step 3 photo.
- Step 4:** Prop up the legs of the Charging Table as shown in the Step 4 photo, so that the Charging Table can stand upright. You may also adjust the height of the Charging Table by extending the legs upward.
- Step 5:** Tilt the Charging Table forward to adjust the position of it for your use.
- Step 6:** Secure the tablet by pulling out the Tablet Holder and gently lowering the Tablet Holder on your tablet.



CHARGING THE CHARGING TABLE'S RECHARGEABLE BATTERY

The Charging Table's rechargeable 10,000mAh lithium ion battery charges up easily using a micro-USB charging cable, which comes included. The cable has a standard USB connector on the other end. Attach the micro-USB end of the cable to the Charging Table, then connect the standard USB end of the cable to a laptop, desktop computer or wall charger.

CHARGING YOUR DEVICES

To power up or charge a device such as a smartphone with the Charging Table, use a standard USB cable and plug it into the standard USB port on the Charging Table, then plug the other end into your device needing to charge.

CHECKING THE BATTERY STATUS

The battery status button on the body of the Charging Table is put in place to let you check the remaining power in the Table's rechargeable 10,000mAh lithium ion battery.

When you press the battery status button, you will see one or more lights that indicate the power remaining in the battery:

- 1 light = 0% - 25% battery capacity
- 2 lights = 25% - 50% battery capacity
- 3 lights = 50% - 75% battery capacity
- 4 lights = 75% - 100% battery capacity

NOTE: The amount of power left in the battery will vary depending on the device(s) you charge and how frequently you use the Charging Table to charge the device(s).

TECHNICAL SPECIFICATIONS:

Input:	5V 1A
Output A:	5V 1A
Output B:	5V 2A
Output Current:	2A Max
Capacity:	10000mAh
Battery Type:	Lithium ion
Charge Capacity:	Up to 4x smartphone
Charge Capacity:	Up to 1.5x tablet

SAFETY INFORMATION

1. Read these instructions carefully for best use.
2. DO NOT expose the Charging Table to rain or moisture.
DO NOT use the Charging Table near water.
3. DO NOT use the Charging Table near open flames, such as candles, heat sources such as radiators and stoves, or any other heat-producing appliance.
4. DO NOT use an extension cable with the Charging Table.
DO NOT overload the Charging Table's circuit board.
5. Only clean the Charging Table with a dry cloth.
6. Only use attachments/accessories as specified by the manufacturer.
7. If the Charging Table is to be unused for an extended period of time (1 month or longer), fully charge the rechargeable 10,000mAh lithium ion battery before storing and detach any cables or accessories.
8. Always make sure you can easily access the Charging Table's battery status button.

QUESTIONS AND SUPPORT

Anything we can help you with regarding your Charging Table? Don't hesitate to get in touch with us. Just email us at info@atomiusa.com and we'll get back to you as soon as possible with a friendly, helpful reply.

Thank you!
The atomi Team