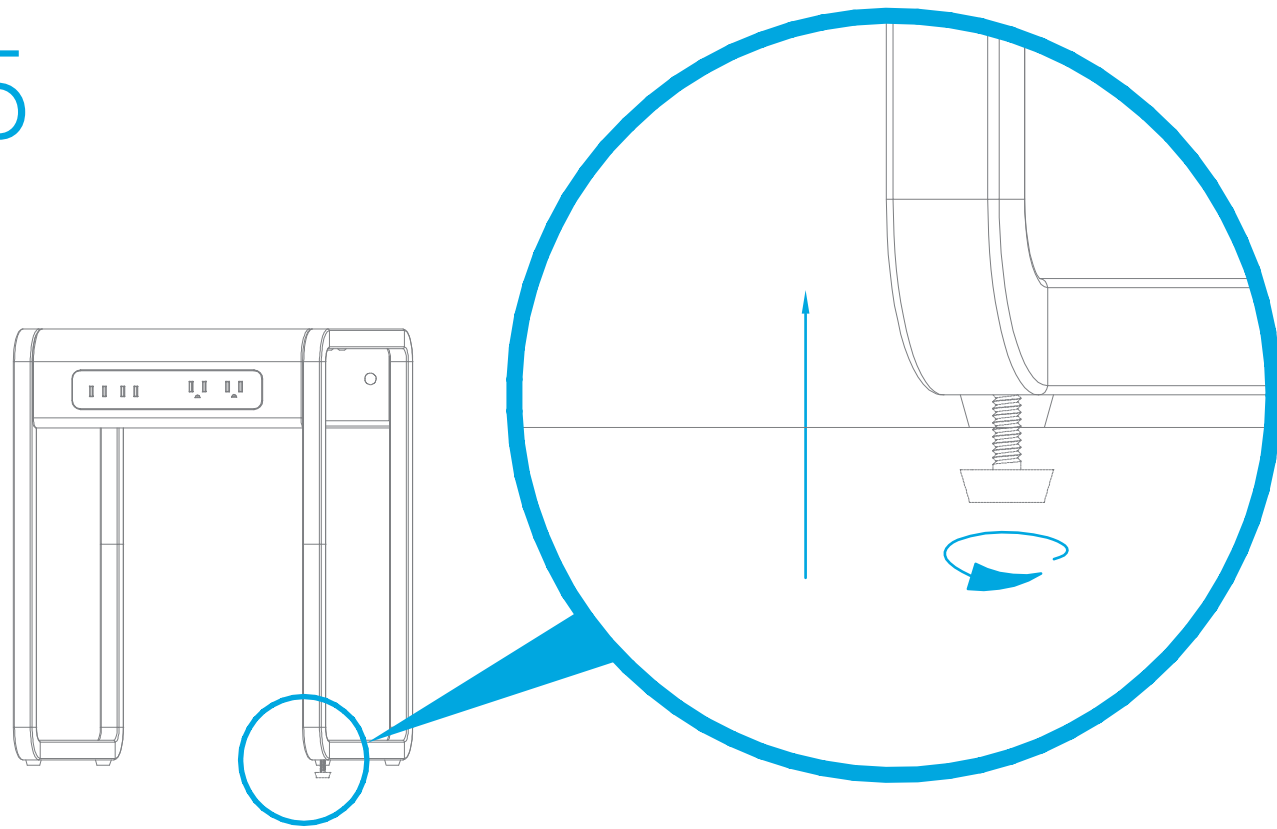


5



Visit atomiusa.com to see all our unique solutions



For questions or concerns, email us at info@atomiusa.com
 Manufactured and marketed by Atomi, Inc.
 10 West 33rd St. Suite 520, New York, NY 10001
 atomi™ is a trademark of Atomi, Inc.
 Designed by atomi in New York. Made in China



Operation is subject to the following two conditions: (1) this device may not cause harmful interference, and (2) this device must accept any interference received, including interference that may cause undesired operation. Instruction manual shall include, "Warning: Changes or modifications to this unit not expressly approved by the party responsible for compliance could void the user's authority to operate the equipment." "NOTE: This equipment has been tested and found to comply with the limits for a Class B digital device, pursuant to Part 15 of the FCC Rules. These limits are designed to provide reasonable protection against harmful interference in a residential installation. This equipment generates, uses and can radiate radio frequency energy and, if not installed and used in accordance with the instructions, may cause harmful interference to radio communications. However, there is no guarantee that interference will not occur in a particular installation. If this equipment does cause harmful interference to radio or television reception, which can be determined by turning the equipment off and on, the user is encouraged to try to correct the interference by one or more of the following measures: Reorient or relocate the receiving antenna. Increase the separation between the equipment and receiver. Connect the equipment into an outlet on a circuit different from that to which the receiver is connected. Consult the dealer or an experienced radio/TV technician for help." Date Code: 01/17. The assembly, installation, and usage of the Charge Table is performed by the Customer at the Customer's own responsibility. Atomi, Inc. shall not assume any legal liability in relation to the assembly and installation of Products. Atomi, Inc. shall not assume legal liability for damages caused to the Charge Table or other accidents caused or damages incurred while the Customer is assembling or installing the Charge Table.

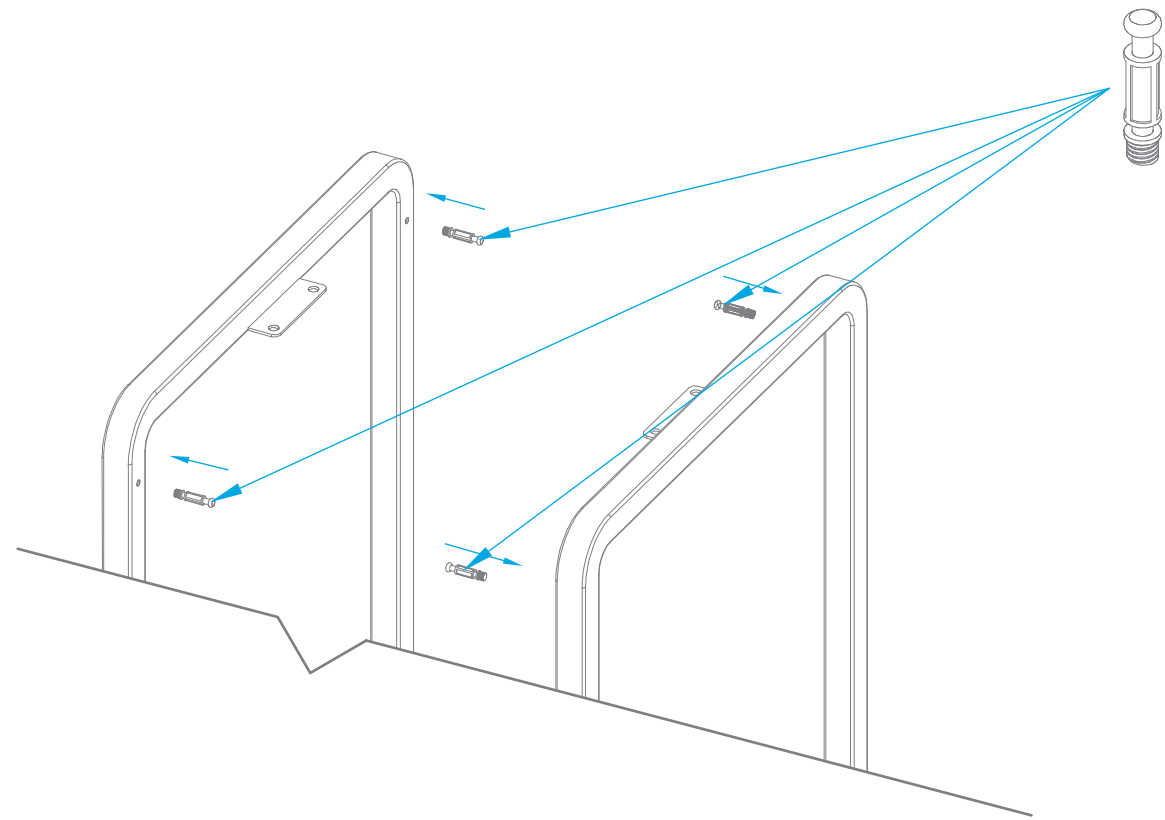


Power Table

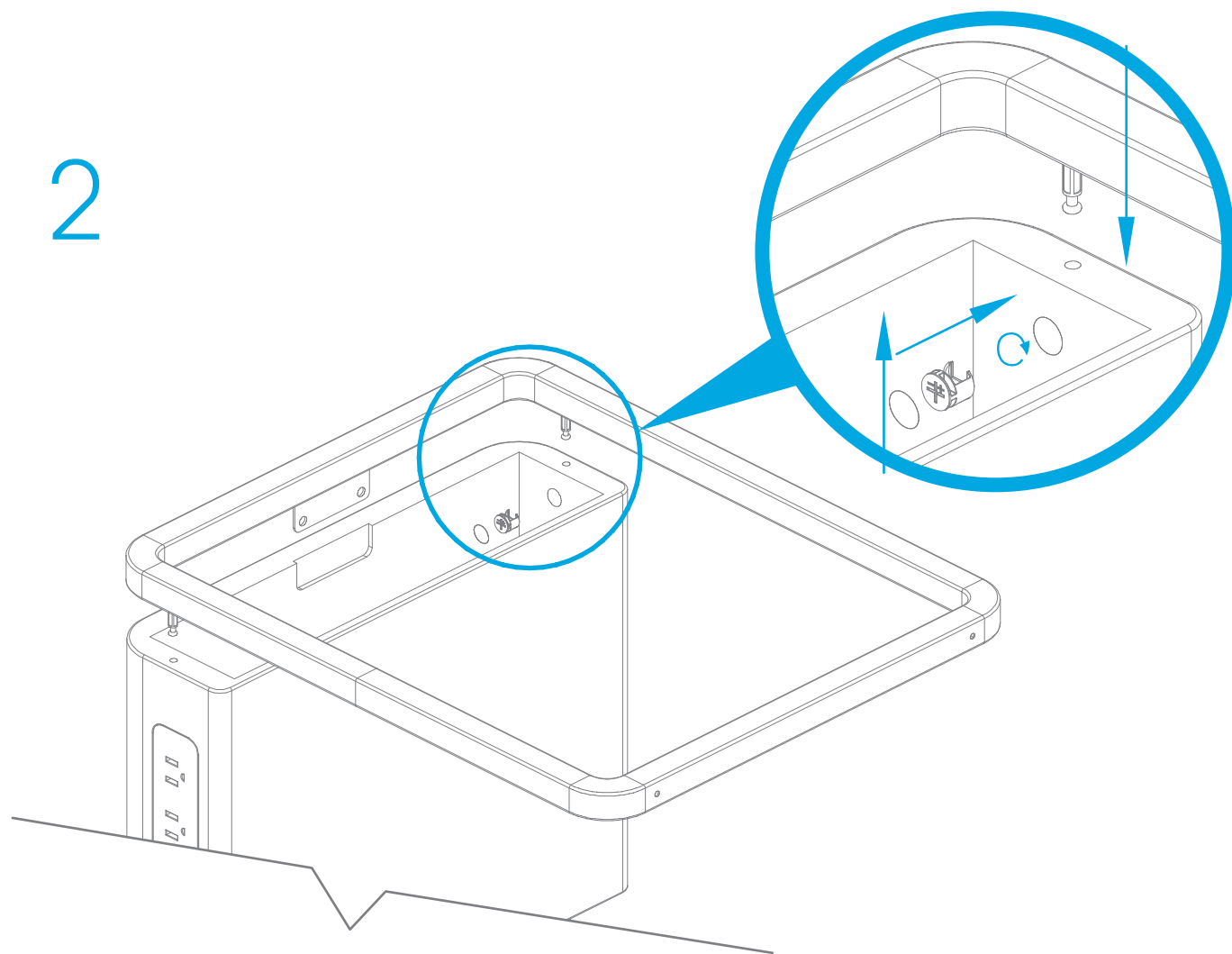


Assembly Instruction

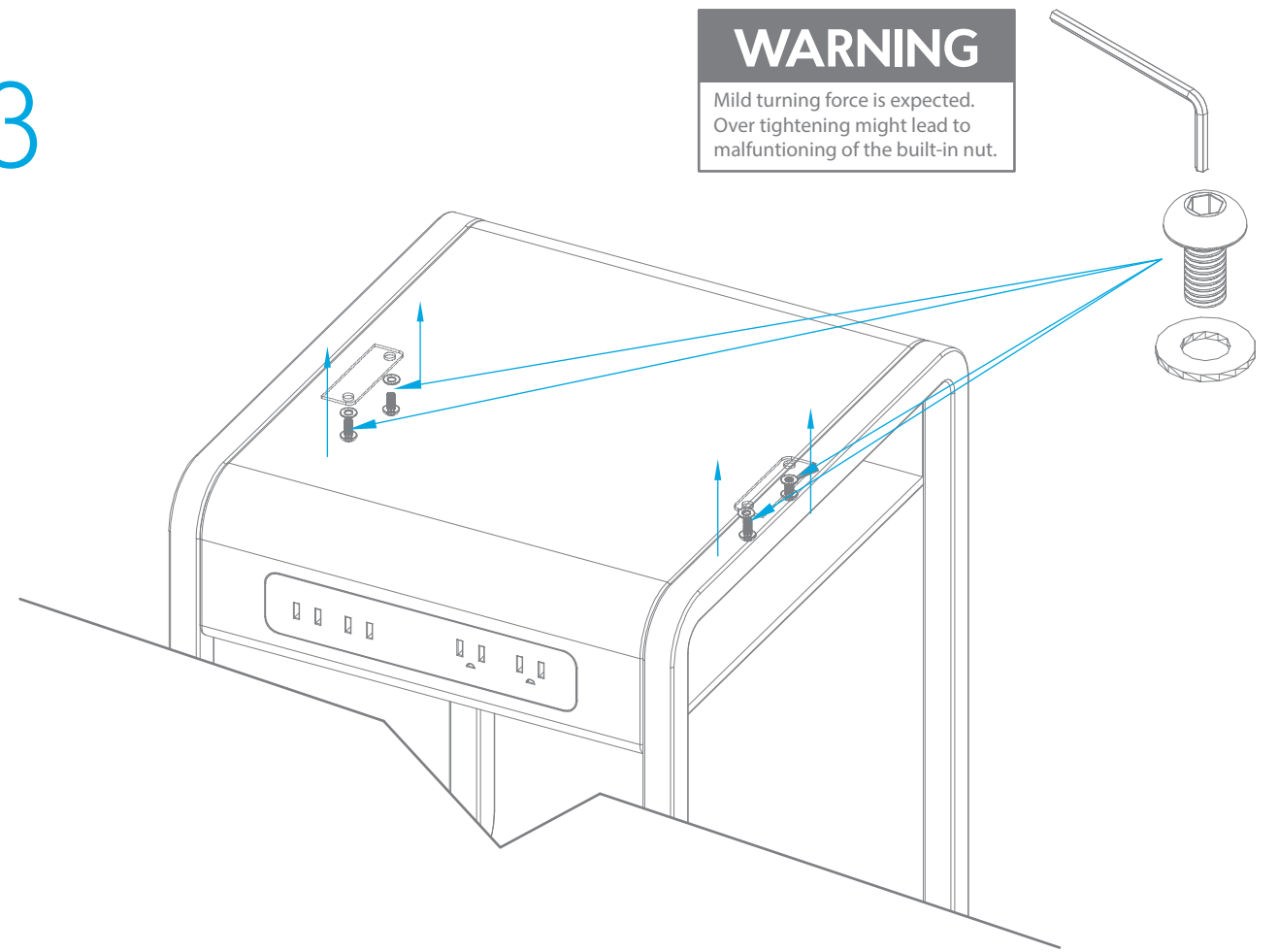
1



2



3



WARNING
Mild turning force is expected.
Over tightening might lead to
malfunctioning of the built-in nut.

4

